

ModuA 32F-12 220 RED

Version	T2 M
Nominal width	DN 32
Flow head H max.	12 m
Overall length	220 mm
Flanged connection	PN 6-16
Operating pressure max.	16 bar
Media temperature min.	+15°C
Media temperature max.	+110°C
Ambient temperature	0°C to 40°C
Net weight	15.3 kg
Gross weight	19.4 kg

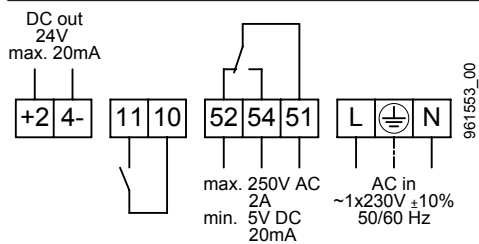
Electrical data

Voltage	1x230 V
Frequency	50/60 Hz
Power P ₁	15-329 W
Nominal current	0.17-1.51 A
Motor protection	integrated

Required operating pressure at 500m a.s.l.

at a water temp. of 75 °C	0.10 bar
at a water temp. of 95 °C	0.35 bar
at a water temp. of 110 °C	1.00 bar
for every ±100 m of altitude	±0.01 bar

Connction diagram



+24-	24 V DC out
11, 10	External OFF or external ON
52, 54, 51	Error or operating message
L, N, PE	Power supply

Switch

- 1 Fault or operating message (switchable)
- 2 External OFF or external ON (switchable)
- 3 Power Limit (activatable)

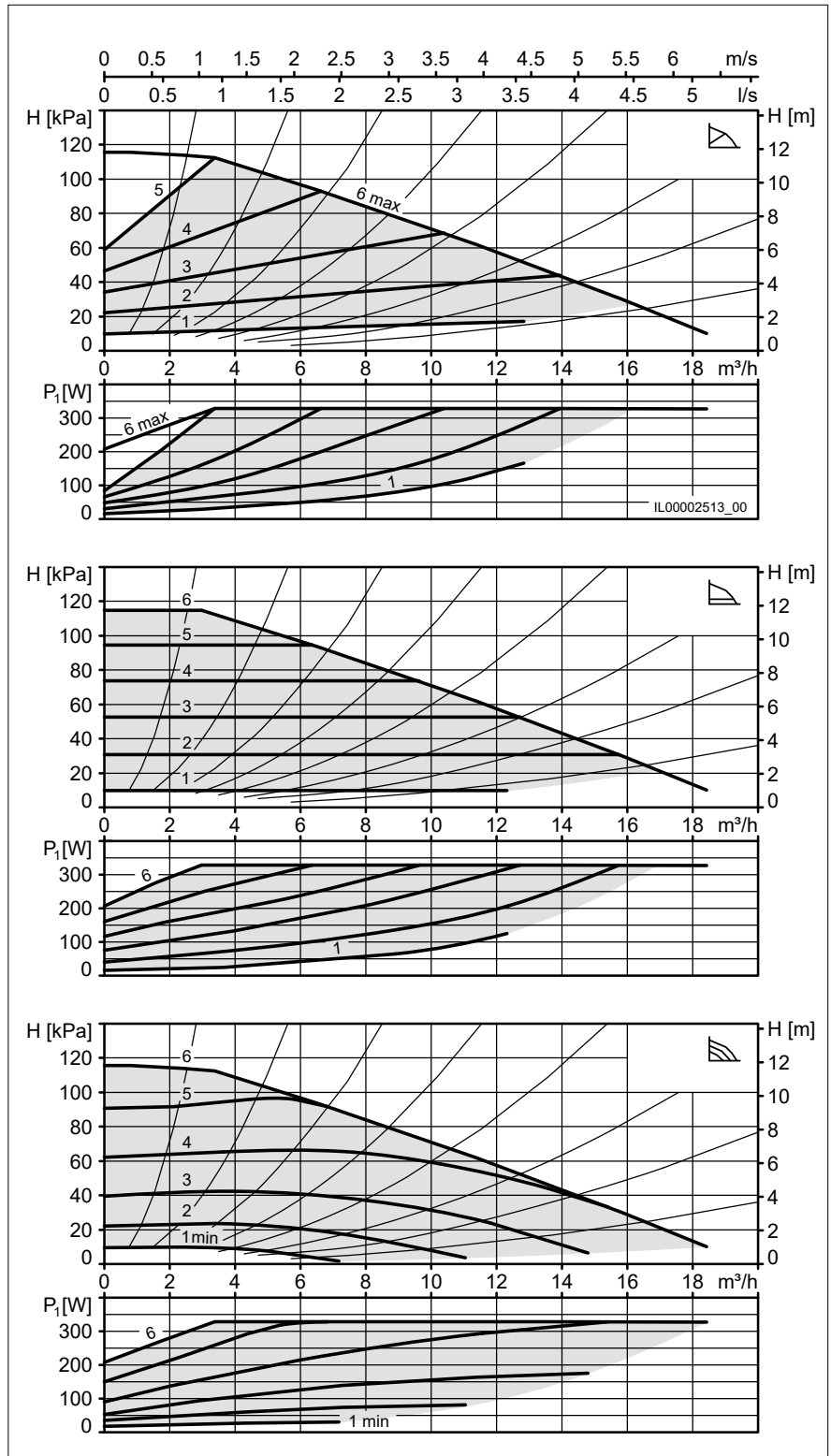
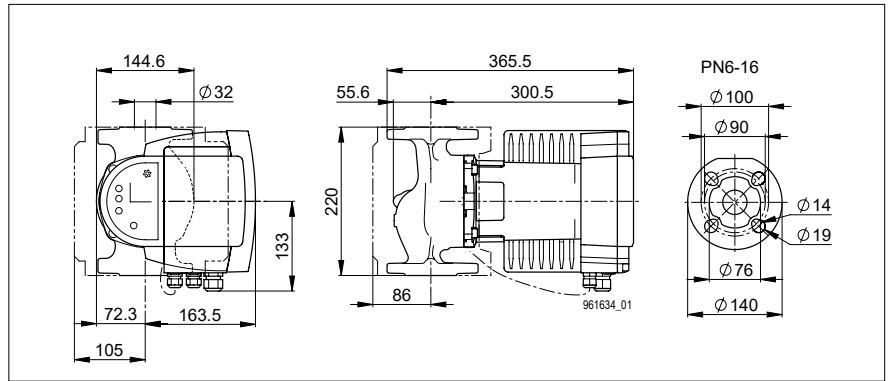
Included in the scope of delivery

- Heat insulation shell
- Sealing set for flange PN 6

Accessories

- Biral Interface Modules
- Set for recessed installation of electronics
- Seal kit for flanges PN10/PN16

Type	Art. no.
ModuA 32F-12 220 RED	7000000076



Heizung